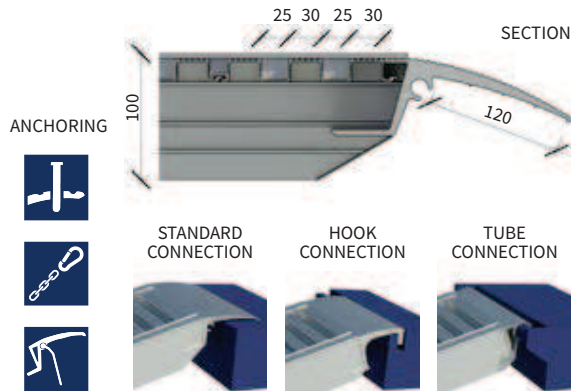


H 100



2500 - 4000 \leftarrow mm \rightarrow
 kg 3600 - 1850

★ With or without edges.



STANDARD SURFACE

FLAT ANTI-SLIP SURFACE



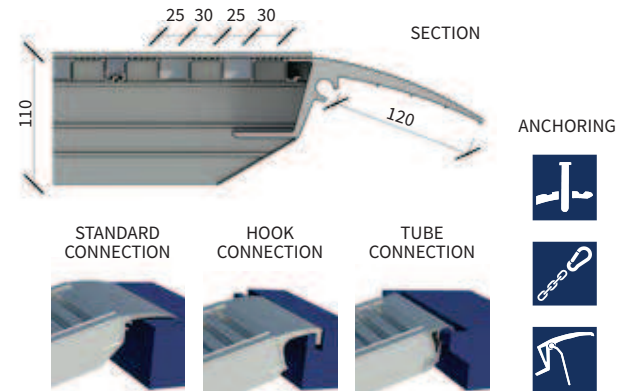
CODE WITHOUT EDGES	LOADING CAPACITY PAIR IN kg / WHEELBASE			LENGTH mm	INTERNAL WIDTH mm	EXTERNAL WIDTH mm	WEIGHT PAIR kg
	1000 mm	1250 mm	1500 mm				
H 100/25S	3600	3600	3600	2500	300	370	39
H 100/30S	2800	3150	3350	3000	300	370	45
H 100/32S	2550	2850	3300	3200	300	370	48
H 100/35S	2200	2450	2750	3500	300	370	52
H 100/40S	1850	2000	2200	4000	300	370	60

CODE WITH EDGES	LOADING CAPACITY PAIR IN kg / WHEELBASE			LENGTH mm	INTERNAL WIDTH mm	EXTERNAL WIDTH mm	EDGES HEIGHT mm	WEIGHT PAIR kg
	1000 mm	1250 mm	1500 mm					
H 100/25B	3600	3600	3600	2500	300	355	30	38
H 100/30B	2800	3150	3350	3000	300	355	30	45
H 100/32B	2550	2850	3300	3200	300	355	30	47
H 100/35B	2200	2450	2750	3500	300	355	30	52
H 100/40B	1850	2000	2200	4000	300	355	30	59



2500 - 4000 \leftarrow mm \rightarrow
 kg 3810 - 2330

★ With or without edges.



STANDARD SURFACE

FLAT ANTI-SLIP SURFACE



CODE WITHOUT EDGES	LOADING CAPACITY PAIR IN kg / WHEELBASE			LENGTH mm	INTERNAL WIDTH mm	EXTERNAL WIDTH mm	WEIGHT PAIR kg
	1000 mm	1250 mm	1500 mm				
H 110/25S	3810	3810	3810	2500	305	385	42
H 110/30S	3310	3700	3810	3000	305	385	50
H 110/32S	3050	3400	3780	3200	305	385	52
H 110/35S	2700	3000	3280	3500	305	385	56
H 110/40S	2330	2500	2700	4000	305	385	63

CODE WITH EDGES	LOADING CAPACITY PAIR IN kg / WHEELBASE			LENGTH mm	INTERNAL WIDTH mm	EXTERNAL WIDTH mm	EDGES HEIGHT mm	WEIGHT PAIR kg
	1000 mm	1250 mm	1500 mm					
H 110/25B	3810	3810	3810	2500	300	370	25	40
H 110/30B	3310	3700	3810	3000	300	370	25	49
H 110/32B	3050	3400	3780	3200	300	370	25	50
H 110/35B	2700	3000	3280	3500	300	370	25	55
H 110/40B	2330	2500	2700	4000	300	370	25	63



H 110

